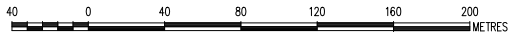


MAP GRID		MGA 56	
FIELD SUMMARY			
PIPE SIZE	LENGTH	ITEM	TOTAL
HORIZ. WELL	63mm	0	0
	90mm	0	0
	110mm	0	0
	125mm	0	0
	160mm	0	0
	200mm	0	0
FLOW	63mm	0	1
	90mm	0	0
	110mm	0	0
	125mm	0	0
LATERAL	90mm	445	0
	150mm	0	0
	160mm	0	0
	203mm	0	0
LEACHATE RISE	32mm	0	12
	63mm	0	0
LEACHATE RISE	63mm	0	0
	90mm	0	0
	125mm	0	0
	160mm	0	0
MAIN HEADER	300mm	0	0
	110mm	0	0
	125mm	0	0
	160mm	0	0
	200mm	0	0
	225mm	0	0
	250mm	0	0
	280mm	0	0
	315mm	0	0
	355mm	0	0
	400mm	0	0
	450mm	0	0
	500mm	0	0

LEGEND	
	WELL MONITORING BORE
	WELLHEAD STATION - STANDARD
	J TRAP
	BAROMETRIC TRAP
	ISOLATION VALVE
	PIT PUMPOUT
	LEACHATE SUMP / RISER PIPES
	STANDALONE WELL
	KNOCKOUT POT
	DUAL PURPOSE WELL
	FLARE/POWER STATION
	WELLHEAD STATION NAME
	WELL NUMBER
	MP1-1
	MAIN GAS PIPE
	GAS MONITORING BORE
	LEACHATE RISER
	FENCE LINE
	CELL BOUNDARY
	COMMUNICATION
	POWER
	63mm FLOW LINE
	32mm AIR LINE
	63mm AIR LINE
	63mm LEACHATE LINE
	90mm LEACHATE LINE
	125mm LEACHATE LINE
	160mm LEACHATE LINE
	90mm HORIZONTAL WELL
	90mm MAIN LATERAL HEADER
	125mm MAIN LATERAL HEADER
	160mm MAIN HEADER
	200mm MAIN HEADER
	225mm MAIN HEADER
	250mm MAIN HEADER
	280mm MAIN HEADER
	315mm MAIN HEADER
	355mm MAIN HEADER
	400mm MAIN HEADER
	450mm MAIN HEADER
	500mm MAIN HEADER



- Notes:
- Original location for migration wells: 72, 73, 74, 75, 76, 77, 78, 79, 80, 81, 82 AND 83
  - Alternative location for migration wells: 72A, 73A, 74A, 75A, 76A, 78A, 79A, 80A, 81A, 82A AND 83A
  - Refer to previous Design Drawing (RE-ERSINE-001 DESIGN OPTION 2) from 22.08.2017
  - Refer to previous Design Drawing (042-DN-003) for detail on well redrills.
  - Boundary information supplied by Cleanaway. Drawings ("XREF: QUARRY BOUNDARY" and "XREF-INFERRED COMBINED EDGE OF SIDELINER")
  - Aerial photography from Nearmap Pty Ltd taken on 22nd January, 2020.

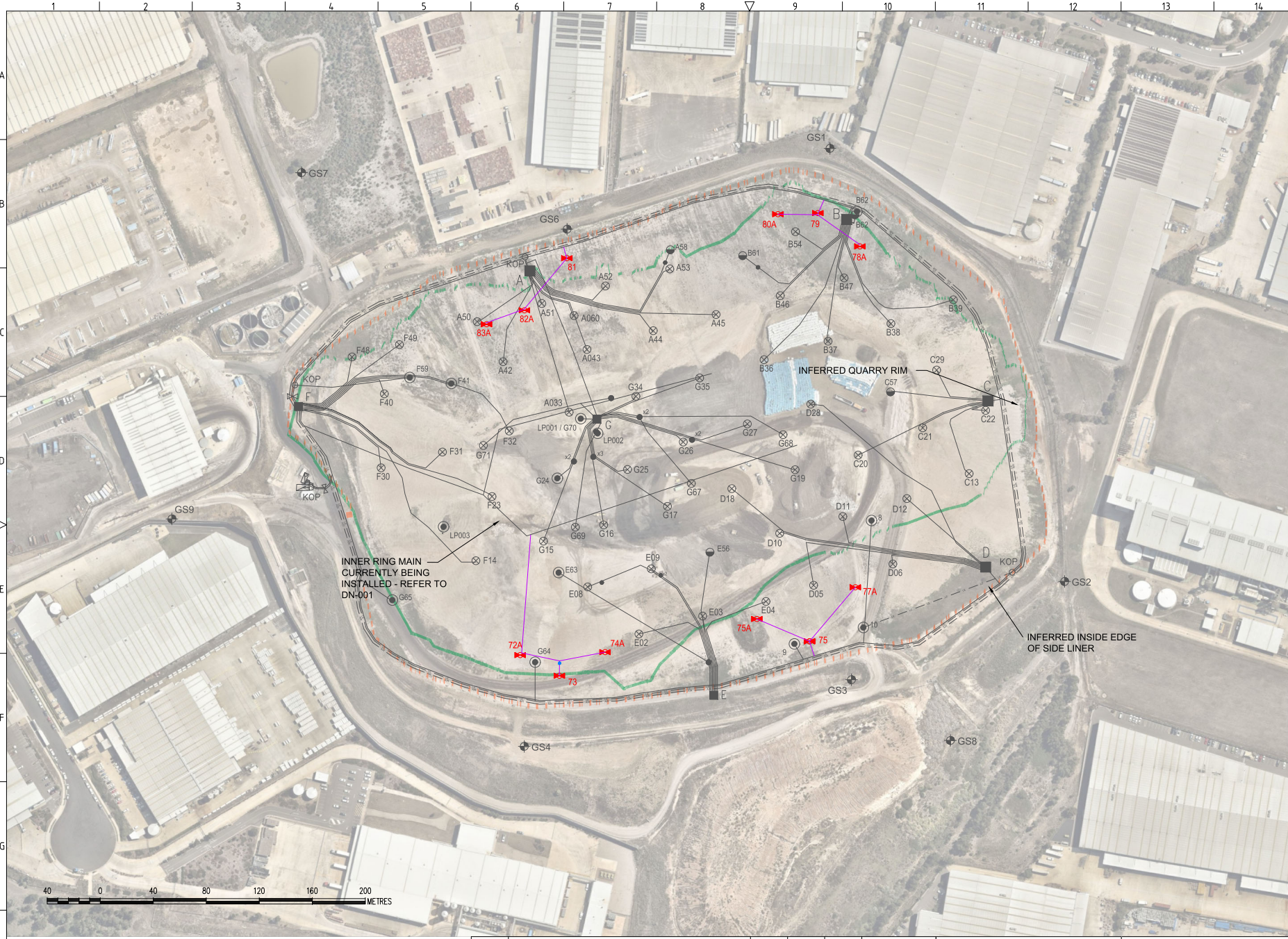
REV	DESCRIPTION	BY	CHKD	APP	DATE
B	REMOVED WELLS 72,73A,74,76A,76,77,78,80,81A,82,83	ZB			01/06/2020
A	GCS INSTALLATION	ZB	AD	AD	13/05/2020

REVISION HISTORY

199C OSBORNE AVE, CLAYTON STH, VIC 3169  
PH: (03) 8538 6200  
www.runenergy.com

PROJECT: ERSKINE PARK LANDFILL GAS PROJECT  
DRAWING TITLE: GAS COLLECTION SYSTEM DESIGN

DRAWING No:	042-DN-005
DRAWING TYPE:	DESIGN
DRAWN:	ZB
DATE:	01/06/2020
DESIGNED:	RC
SCALE:	1:1000
SHEET:	1 of 2
REV:	B
SIZE:	A1



MAP GRID		MGA 56	
FIELD SUMMARY			
PIPE SIZE	LENGTH	ITEM	TOTAL
HORIZ. WELL	0	⊗	0
63mm	0	⊗	0
90mm	0	⊗	0
110mm	0	⊗	0
125mm	0	⊗	0
160mm	0	⊗	0
200mm	0	⊗	0
FLOW	0	★	1
63mm	0	★	0
90mm	0	★	0
110mm	0	★	0
125mm	0	★	0
160mm	445	★	0
200mm	0	★	0
LATERAL	0	⊗	12
63mm	0	⊗	0
90mm	0	⊗	0
110mm	0	⊗	0
125mm	0	⊗	0
160mm	0	⊗	0
200mm	0	⊗	0
LEACHATE AIR	0	⊗	0
63mm	0	⊗	0
90mm	0	⊗	0
110mm	0	⊗	0
125mm	0	⊗	0
160mm	0	⊗	0
200mm	0	⊗	0
MAIN HEADER	0	⊗	0
63mm	0	⊗	0
90mm	0	⊗	0
110mm	0	⊗	0
125mm	0	⊗	0
160mm	0	⊗	0
200mm	0	⊗	0
225mm	0	⊗	0
250mm	0	⊗	0
280mm	0	⊗	0
315mm	0	⊗	0
355mm	0	⊗	0
400mm	0	⊗	0
450mm	0	⊗	0
500mm	0	⊗	0

LEGEND	
⊗	WELL
⊗	MONITORING BORE
⊗	WELL HEAD STATION - STANDARD
⊗	J TRAP
★	BAROMETRIC TRAP
⊗	ISOLATION VALVE
⊗	PIT PUMPOUT
⊗	LEACHATE SUMP / RISER PIPES
⊗	STANDALONE WELL
⊗	WINGCUT POT
⊗	DUAL PURPOSE WELL
⊗	FLARE/POWER STATION
⊗	WELL HEAD STATION NAME
A125	WELL NUMBER
MP1-1	MAIN GAS PIPE
⊗	GAS MONITORING BORE
⊗	LEACHATE RISER

—	FENCE LINE
—	CELL BOUNDARY
—	COMMUNICATION
—	POWER
—	63mm FLOW LINE
—	32mm AIR LINE
—	63mm AIR LINE
—	63mm LEACHATE LINE
—	90mm LEACHATE LINE
—	125mm LEACHATE LINE
—	160mm LEACHATE LINE
—	90mm HORIZONTAL WELL
—	90mm MAIN LATERAL HEADER
—	125mm MAIN LATERAL HEADER
—	160mm MAIN HEADER
—	200mm MAIN HEADER
—	225mm MAIN HEADER
—	250mm MAIN HEADER
—	280mm MAIN HEADER
—	315mm MAIN HEADER
—	355mm MAIN HEADER
—	400mm MAIN HEADER
—	450mm MAIN HEADER
—	500mm MAIN HEADER

Notes:

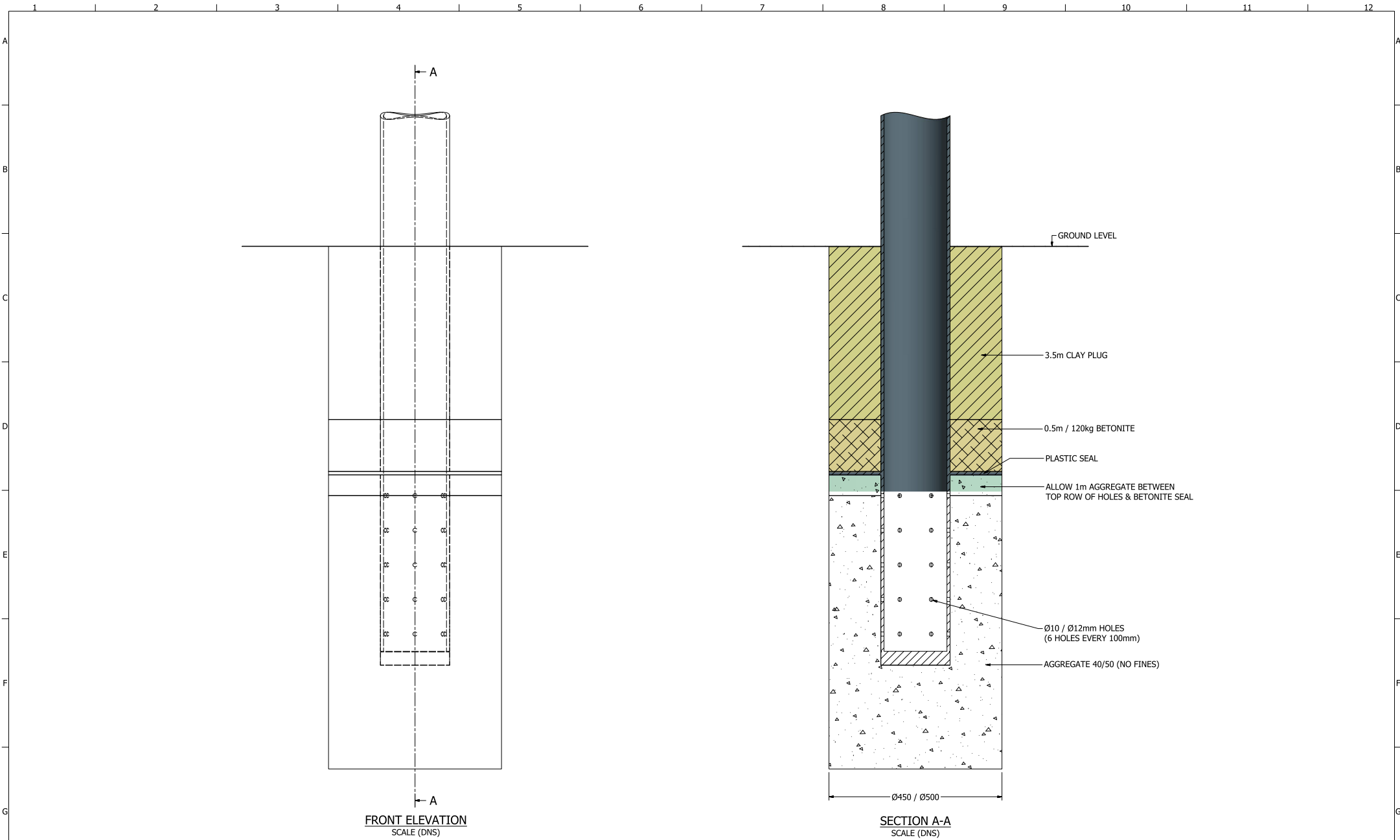
- Original location for migration wells: 72, 73, 74, 75, 76, 77, 78, 79, 80, 81, 82 AND 83
- Alternative location for migration wells: 72A, 73A, 74A, 75A, 76A, 77A, 78A, 79A, 80A, 81A, 82A AND 83A
- Refer to previous Design Drawing (RE-ERSINE-001 DESIGN OPTION 2) from 22.08.2017)
- Refer to previous Design Drawing (042-DN-003) for detail on well redrills.
- Boundary information supplied by Cleanaway. Drawings ("XREF: QUARRY BOUNDARY" and "XREF: INFERRED COMBINED EDGE OF SIDELINER")
- Aerial photography from Nearmap Pty Ltd taken on 22nd January, 2020.

REV	DESCRIPTION	BY	CHKD	APP	DATE
B	REMOVED WELLS 72,73A,74,76A,76,77,78,80,81A,82,83	ZB			01/06/2020
A	GCS INSTALLATION	ZB	AD	AD	13/05/2020



PROJECT: ERSKINE PARK LANDFILL GAS PROJECT  
DRAWING TITLE: GAS COLLECTION SYSTEM DESIGN

DRAWING No:	042-DN-005
DRAWING TYPE:	DESIGN
DRAWN:	ZB
DATE:	01/06/2020
DESIGNED:	RC
SCALE:	1:1000
SHEET:	1 of 1
REV:	B
SIZE:	A1

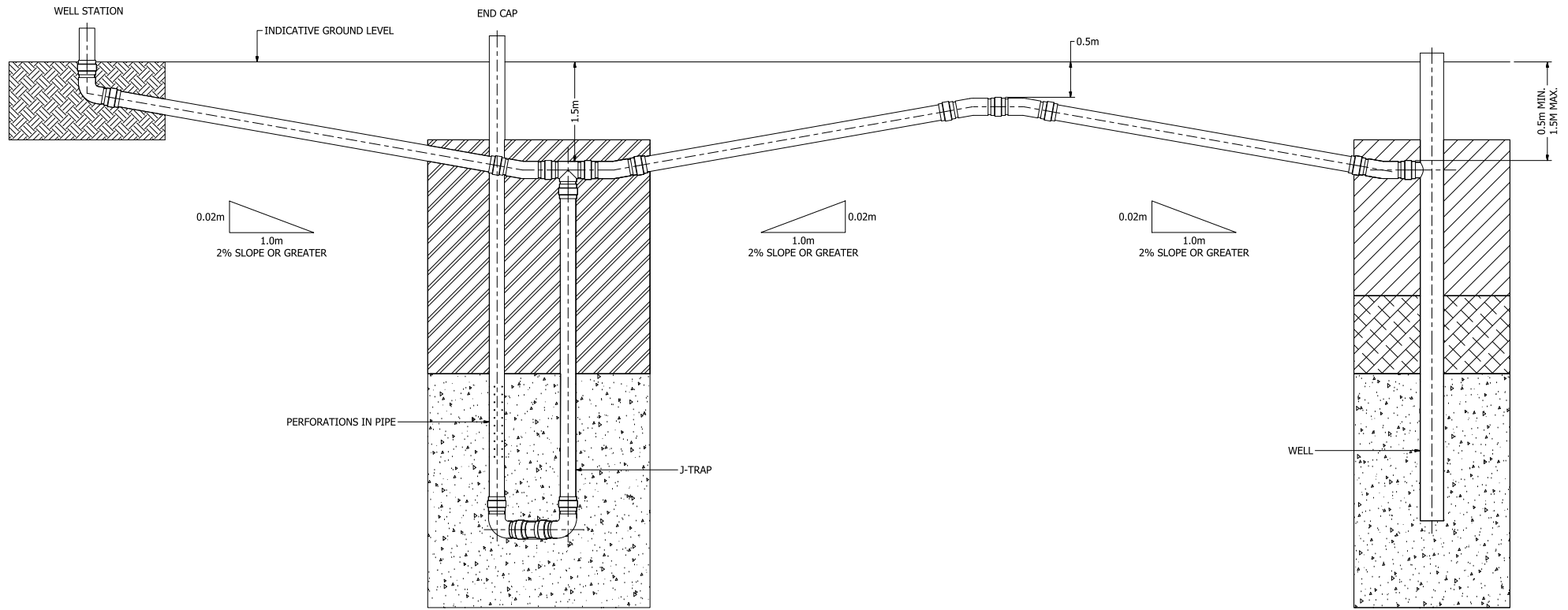


REV	DESCRIPTION	BY	CHECKED	APPROVED	DATE
A	GENERAL ARRANGEMENT - FOR REVIEW	BC	LB	LB	3/10/2018

REVISION HISTORY

199C Osborne Avenue Clayton South, VIC, 3169 AUSTR. www.runenergy.com TEL: (03) 9538 6200					
DRAWN	BC	DESIGN	BC	APP	LB
DATE	3/10/2018	DATE	3/10/2018	DATE	3/10/2018

PROJECT RUN ENERGY GENERAL ARRANGEMENT					
DRAWING TITLE WELL INSTALLATION TYPE A					
SCALE	DRAWING NUMBER	SHEET	REV	SIZE	
DNS	RE_LFG_001	1 OF 1	A	A1	

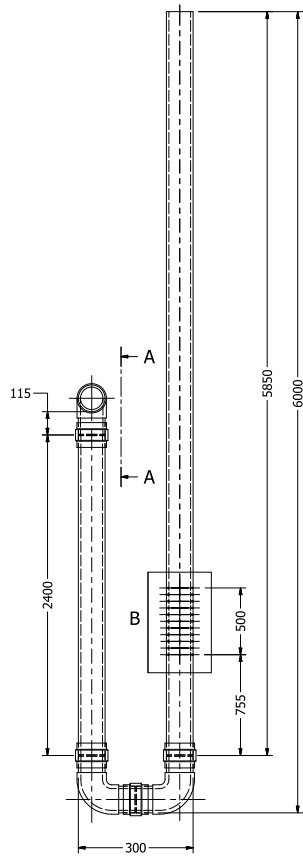


**FRONT ELEVATION**  
SCALE (DNS)

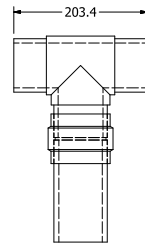
REV	DESCRIPTION	BY	CHECKED	APPROVED	DATE
A	GENERAL ARRANGEMENT - FOR REVIEW	BC	LB	LB	5/10/2018

REVISION HISTORY

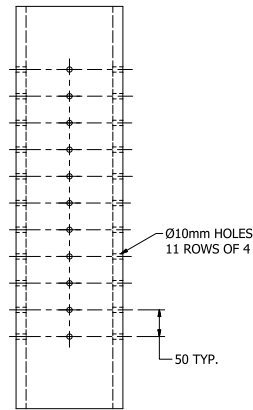
199C Osborne Avenue Clayton South, VIC, 3169 AUSTR. www.runenergy.com TEL: (03) 9538 6200					PROJECT RUN ENRGY GENERAL ARRANGEMENT	
DRAWN BC					DRAWING TITLE FLOW LINE INSTALLATION	
DATE	5/10/2018	DATE	5/10/2018	DATE	5/10/2018	SCALE
						DNS
						DRAWING NUMBER
						RE_LFG_002
						SHEET
						1 OF 1
						REV
						A
						SIZE
						A1



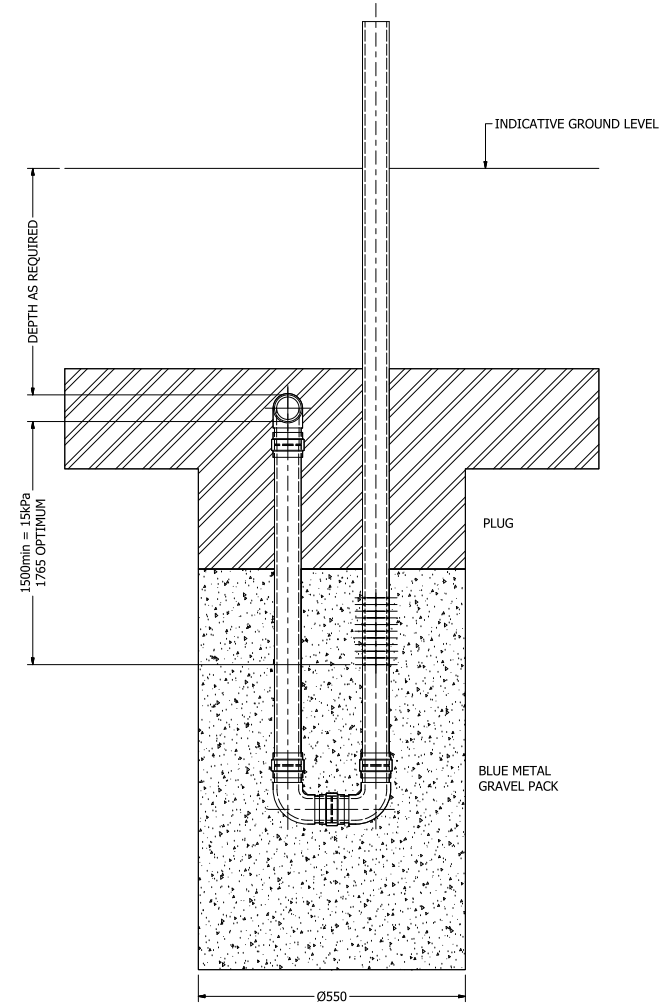
**FABRICATION DETAILS**  
SCALE (DNS)



**SECTION A-A**  
SCALE (DNS)



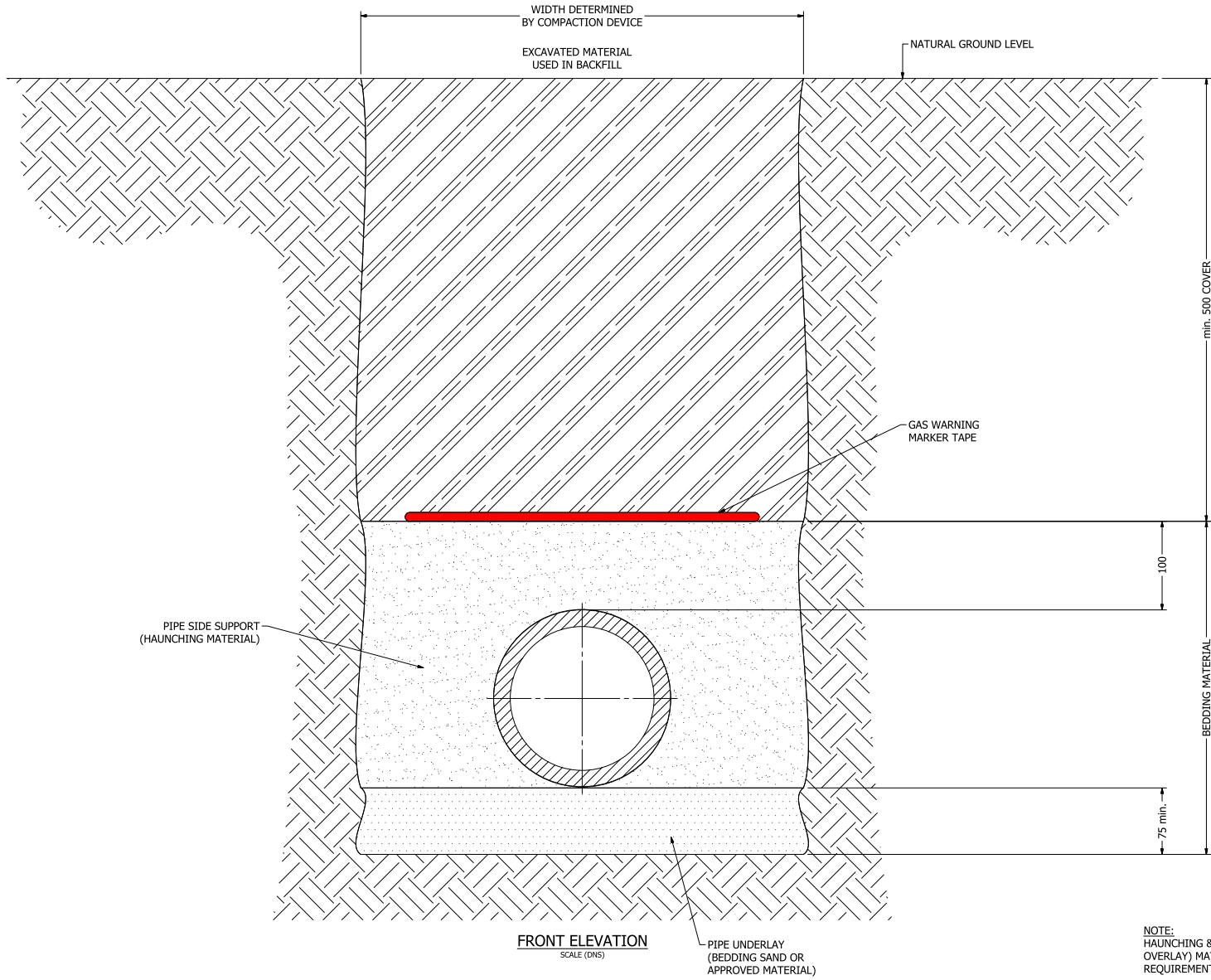
**DETAIL B**  
SCALE (DNS)



**INSTALLATION DETAILS**  
SCALE (DNS)

REV	DESCRIPTION	BY	CHECKED	APPROVED	DATE
A	GENERAL ARRANGEMENT - FOR REVIEW	BC	LB	LB	8/10/2018
REVISION HISTORY					

199C Osborne Avenue Clayton South, VIC, 3169 AUSTR. www.runenergy.com TEL: (03) 9538 6200				PROJECT					
				RUN ENERGY GENERAL ARRANGEMENT					
DRAWN				DRAWING TITLE					
BC	DESIGN	BC	APP	LB	J-TRAP INSTALLATION				
DATE	DATE	DATE	DATE	DATE	SCALE	DRAWING NUMBER	SHEET	REV	SIZE
9/10/2018	9/10/2018	9/10/2018	8/10/2018		DNS	RE_LFG_004	1 OF 1	A	A1



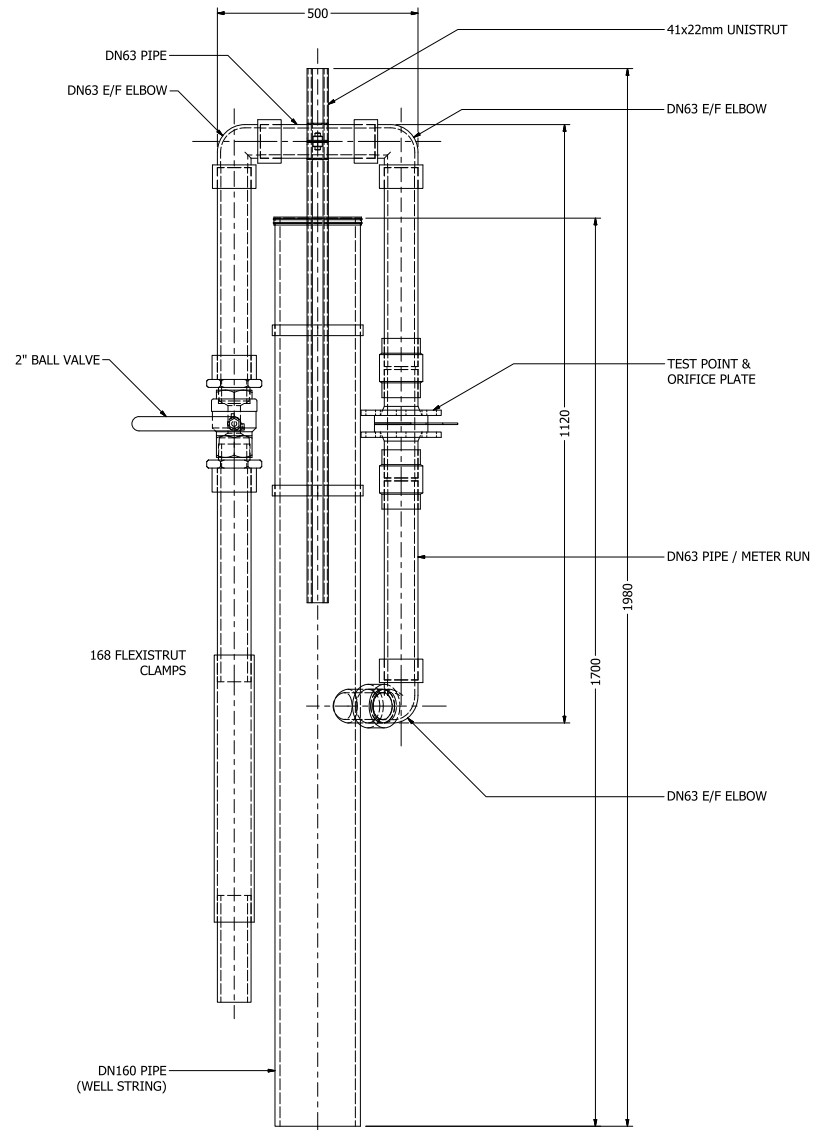
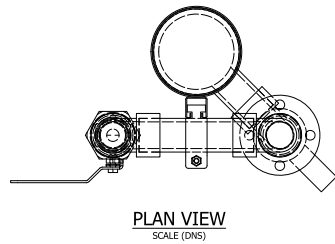
NOTE:  
HAUNCHING & INITIAL BACKFILL (PIPE OVERLAY) MATERIAL TO COMPLY WITH REQUIREMENTS OF BEDDING MATERIAL.

A	GENERAL ARRANGEMENT - FOR REVIEW	BC	LB	LB	9/10/2018
REV	DESCRIPTION	BY	CHECKED	APPROVED	DATE

REVISION HISTORY

199C Osborne Avenue Clayton South, VIC, 3169 AUSTR. www.runenergy.com TEL: (03) 9538 6200					
DRAWN	BC	DESIGN	BC	APP	LB
DATE	9/10/2018	DATE	9/10/2018	DATE	9/10/2018

PROJECT RUN ENERGY GENERAL ARRANGEMENT					
DRAWING TITLE TRENCH DETAIL					
SCALE DNS	DRAWING NUMBER RE_LFG_006	SHEET 1 OF 1	REV A	SIZE A1	



**STANDALONE WELL ASSEMBLY**  
SCALE (DNS)

REV	DESCRIPTION	BC BY	LB CHECKED	LB APPROVED	DATE
A	GENERAL ARRANGEMENT - FOR REVIEW	BC	LB	LB	29/10/2018

REVISION HISTORY

199C Osborne Avenue Clayton South, VIC, 3169 AUSTR. www.runenergy.com TEL: (03) 9538 6200			
DRAWN	BC	DESIGN	BC
DATE	29/10/2018	DATE	29/10/2018
APP	LB	DATE	29/10/2018

PROJECT RUN ENERGY GENERAL ARRANGEMENT					
DRAWING TITLE STANDALONE WELL HEAD					
SCALE DNS	DRAWING NUMBER RE_LFG_012	SHEET 1 OF 1	REV A	SIZE A1	